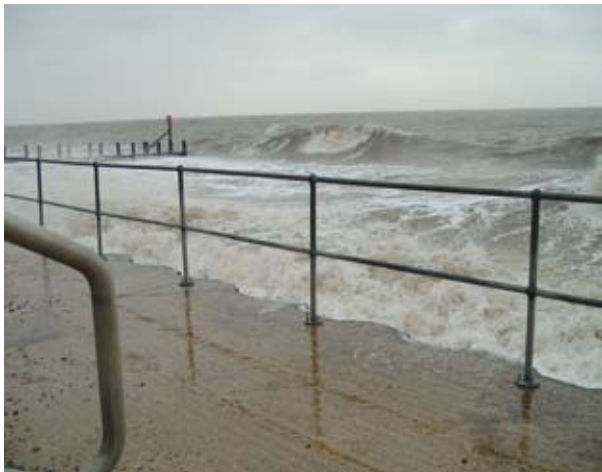




RIDGEWAY



HANDRAIL STANDARDS



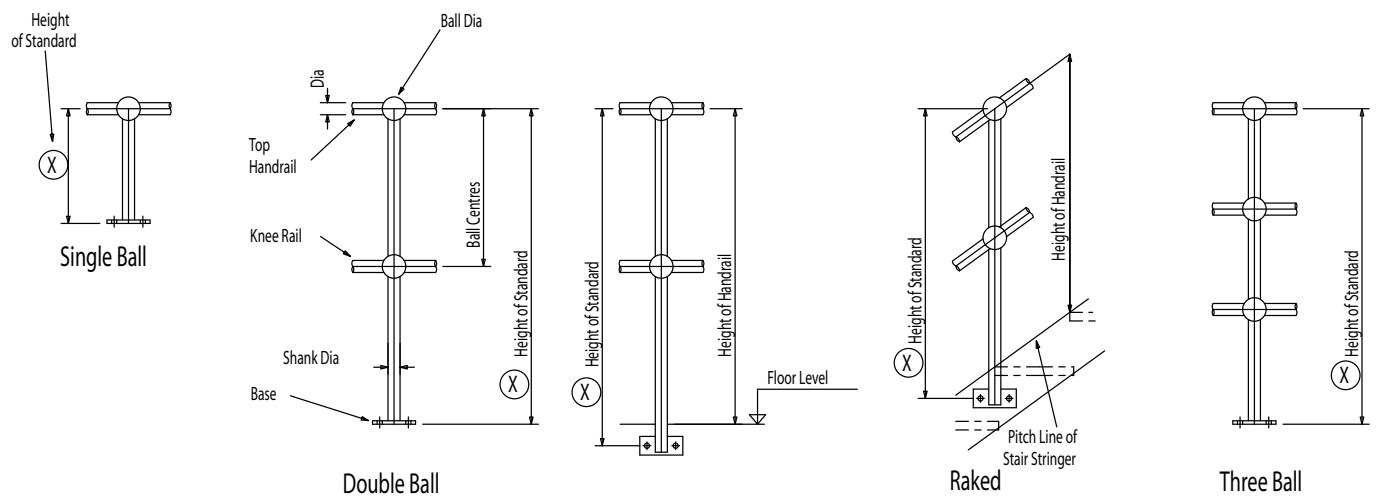
Load Table:

The table below shows the spacing of various type of 1100 mm high handrail standards to achieve required loadings for various codes of practice.

Handrail Standard	Handrail	Horizontal Design Load				
		0.22 kN/m	0.36 kN/m	0.50 kN/m	0.74 kN/m	1.00 kN/m
Tubular						
33.7 mm o.d. x 3.0 mm	33.7 mm o.d.	1650 mm	1075 mm	750 mm	-	-
42.4 mm o.d. x 3.0 mm	33.7 mm o.d.	2000 mm	1850 mm	1450 mm	1050 mm	-
42.4 mm o.d. x 3.0 mm	42.4 mm o.d.	2000 mm	1900 mm	1500 mm	1100 mm	-
48.3 mm o.d. x 3.0 mm	42.4 mm o.d.	2000 mm	2000 mm	2000 mm	1500 mm	1200 mm
48.3 mm o.d. x 4.0 mm	42.4 mm o.d.	2000 mm	2000 mm	2000 mm	1700 mm	1400 mm
60.3 mm o.d. x 4.0 mm	48.3 mm o.d.	2000 mm	2000 mm	2000 mm	2000 mm	1800 mm
Solid						
32 mm o.d.	33.7 mm o.d.	2000 mm	1350 mm	1100 mm	-	-
38 mm o.d.	42.4 mm o.d.	2000 mm	2000 mm	1800 mm	1400 mm	1100 mm
40 mm o.d.	42.4 mm o.d.	2000 mm	2000 mm	2000 mm	1650 mm	1250 mm

Loads are unfactored - please contact our technical department should safety factored loading be required.

Types of standard:



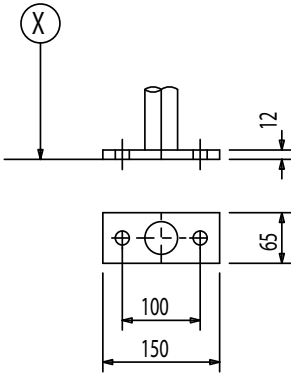
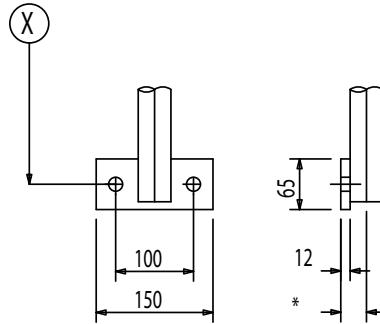
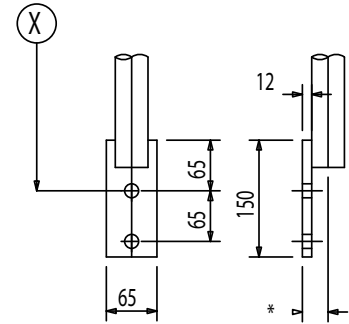
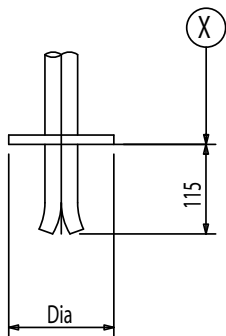
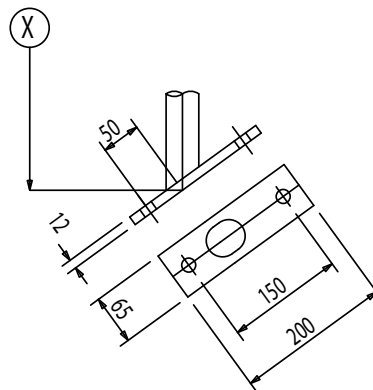
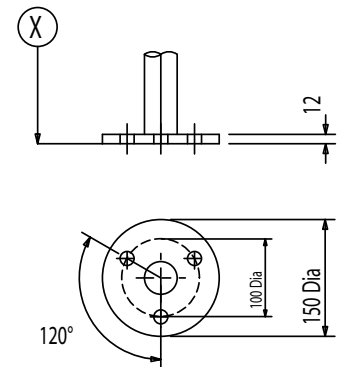
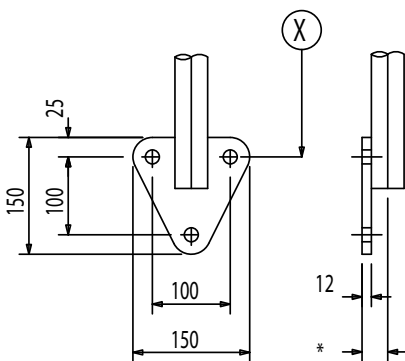
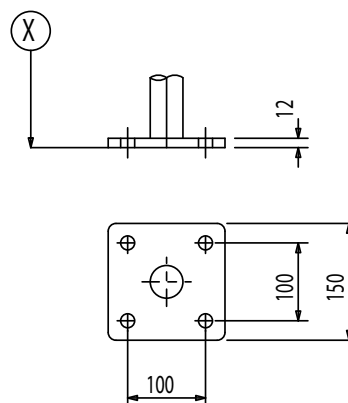
Handrail Standards

Guardrail Handrail standards can be manufactured in tubular or solid materials with varying outside diameters, tube wall thickness, ball sizes, ball types in a multiple of material grades in Mild Steel, Stainless Steel and Aluminium.

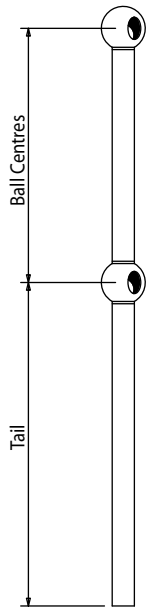
Many different heights, ball centres and tail lengths can be accommodated but to meet current regulations we would recommend a ball centre of 500mm.

Base details:

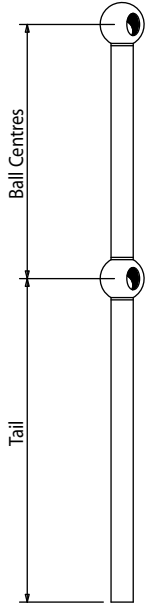
Alternative base thickness 10 mm, 15 mm and 20 mm. All dimensions are in millimetres.


Type: GS1

Type: GS2

Type: GS3

Type: GS5

Type: GS4

Type: GS6

Type: GS7

Type: GS8

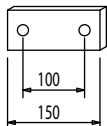
Hole Diameter in bases as requested (standard 18 mm). Other types available on request along with steel to steel or steel to concrete fixing bolts.



Tubular Sticks



Solid Fabricated Sticks



Loose Base plate

Standard industrial handrail components:
Tubular sticks:

Finish: Self colour (vented)
 Special and raked sticks on request
 Usually available ex-stock

Ball size	Rail size Outside diameter	Shank Outside Diameter
63	34	34
63	34	42
82	42	42
82	48	48
95	48	48

Solid fabricated sticks:

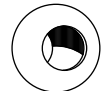
i.e. solid forged balls welded to solid bar shank
 Finish: Self colour
 Special and raked sticks on request
 Usually available ex-stock

Ball size	Rail size Outside diameter	Shank Outside Diameter
64	34	32
70	34	38
77	42	38

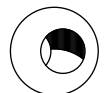
Tubular Ball fittings (Mild steel):

Also available in Gr 316 stainless steel and aluminium

Theoretical Size Outside Diameter	Actual size Outside diameter	Rail Size Outside Diameter
65	63	34
75	82	42
75/90	82	48
90	95	48


Solid forged balls (Mild steel):

Size Outside Diameter	Rail Size Outside Diameter
64	34
70	34
77	42


Loose Base plates:

65 x 12 Flat, 2 x 18 dia. holes.
 Others on request



RIDGEWAY



HANDRAILS

**Industrial Handrail System:**

Guardrail's industrial handrail system consists of "Ball" type handrail posts and individually fabricated handrails which once passed through the ball in the post are locked into position by way of a grub-screw to form a complete handrail.

Different post diameters, wall thickness and spacing coupled with a variety of base types mean that the majority of loading requirements are met whilst it's aesthetic qualities are usually preferred to clamp and other types of handrail systems.

The system is easily erected/dismantled in small sections and can be "tailored" to suit many applications.

All products are available in mild, stainless steel and aluminium.

Industrial Handrail Systems

Current regulations require "All platforms and walkways to have protective barriers on all open sides, consisting of a handrail, knee or intermediate rail, toe-plate and Handrail Standards".

The distance between two rails, or between the lower rail and the top of an up-stand shall be no more than 500mm.







RIDGEWAY

 GUARDRAIL

Expanding joint

Steel



Specifications

Standard dimensions

Description	Finish	Availability	Item number
ø34	Hot-dip galvanised	Stock item	F701600101
ø42	Hot-dip galvanised	Stock item	F701610101
ø48	Hot-dip galvanised	On request	F701620101



RIDGEWAY

Web: - www.ridgeway-online.com Email: - info@ridgeway-online.com

Grooved joint

Steel



Specifications

Standard dimensions

Description	Finish	Availability	Item number
ø34	Hot-dip galvanised	On request	F701500101



RIDGEWAY



Rubber endcap



Specifications

Standard dimensions

Description	Finish	Availability	Item number
133B for $\varnothing 34$	Hot-dip galvanised	Stock item	F701910101
133C for $\varnothing 42$	Hot-dip galvanised	Stock item	F701920101



RIDGEWAY

Web: - www.ridgeway-online.com Email: - info@ridgeway-online.com



RIDGEWAY

 GUARDRAIL

Standard 45° GS2

Steel



Specifications

Base GS2

Standard dimensions

Ball centre (mm)	Tail size (mm)	Ball size (mm)	Handrail outside diameter (mm)	Shank outside diameter (mm)	Position	Angle (°)	Finish	Availability	Item number
500	500	63	34	42		45	Hot-dip galvanised	On request	F700070101
500	500	63	34	42		45	Hot-dip galvanised	On request	F700080101



RIDGEWAY

Web: - www.ridgeway-online.com Email: - info@ridgeway-online.com

Standard Flexi GS3

Steel



Specifications

Base

GS3



RIDGEWAY

 GUARDRAIL

Standard GS1

Steel



Specifications

Base GS1

Standard dimensions

Ball centre (mm)	Tail size (mm)	Ball size (mm)	Handrail outside diameter (mm)	Shank outside diameter (mm)	Finish	Availability	Item number
500	600	63	34	34	Hot-dip galvanised	Stock item	F700000101
500	600	63	34	42	Hot-dip galvanised	Stock item	F700050101
500	600	82	42	42	Hot-dip galvanised	Stock item	F700100101



RIDGEWAY

Web: - www.ridgeway-online.com Email: - info@ridgeway-online.com



RIDGEWAY

 GUARDRAIL

Standard GS2

Steel



Specifications

Base GS2

Standard dimensions

Ball centre (mm)	Tail size (mm)	Ball size (mm)	Handrail outside diameter (mm)	Shank outside diameter (mm)	Finish	Availability	Item number
500	700	63	34	42	Hot-dip galvanised	Stock item	F700060101
500	700	63	34	34	Hot-dip galvanised	Stock item	F700010101
500	700	82	42	42	Hot-dip galvanised	Stock item	F700110101



RIDGEWAY

Web: - www.ridgeway-online.com Email: - info@ridgeway-online.com

Standard GS2

Steel



Specifications

Base GS2

Standard dimensions

Ball centre (mm)	Tail size (mm)	Ball size (mm)	Handrail outside diameter (mm)	Shank outside diameter (mm)	Finish	Availability	Item number
500	700	63	34	42	Hot-dip galvanised	Stock item	F700060101
500	700	63	34	34	Hot-dip galvanised	Stock item	F700010101
500	700	82	42	42	Hot-dip galvanised	Stock item	F700110101

Standard GS3

Steel



Specifications

Base GS3

Standard dimensions

Ball centre (mm)	Tail size (mm)	Ball size (mm)	Handrail outside diameter (mm)	Shank outside diameter (mm)	Finish	Availability	Item number
500	700	63	34	34	Hot-dip galvanised	Stock item	F700040101
500	700	63	34	42	Hot-dip galvanised	Stock item	F700090101