



eVOrail Roof Guardrail Systems



Belfast:- +44 (0) 28 90454599
Ashbourne:- +353 (01) 802 7173
Email:- info@ridgewaysiteproducts.com

eVORAIL Roof Guardrail Systems



eVORail Standard

Work at Height Regulations (WAHR)

PERSONS RESPONSIBLE

The official advice to Duty Holders, who include, Building Owners, Health & Safety Managers, Facilities Managers, Contractors, CDM Co-ordinators as well as Designers and Architects is as follows:

- Avoid workers having to work at height, where possible
- When working at height is essential, ensure that workers are not exposed to unnecessary risks
- Where it is not possible to eliminate the risk of falling, suitable systems and equipment must be provided to minimise the distance and consequences of a fall, should one occur.

PERSONS AT RISK

It is the responsibility of the Duty Holders to avoid the risk to people carrying out the following:

- Construction Work
- Demolition or dismantling
- Using a structure as a place of work
- Cleaning and maintenance
- Other personnel who may be affected by the above tasks



eVORAIL Roof Guardrail Systems

THE SOLUTION

We were one of the pioneers of roof edge guardrail and have been producing eVOrail for over 15 years. Over that time our designs have evolved and the range expanded to provide a solution for all roof types and applications.

eVOrail has become a market leader and is consequently specified by architects and designers on new construction projects. We also supply directly throughout the UK and Ireland to a wide range of clients including:

- **Roof safety and access companies.**
- **The construction industry**
- **Building owners**
- **Roofing contractors**

eVOrail Non-Trip

THE PRODUCT

eVOrail is years ahead of "make do" scaffolding systems and aesthetically is visually pleasing.

The main design advantages are our use of extra smooth, pre-galvanised tube, our easy fix rail connectors and, to protect roof surfaces, rubber post feet and weights. All fixings are A2 stainless steel for maximum lifespan.

eVOrail posts are all height adjustable to ensure a perfectly level system on uneven roof surfaces.

All eVOrail versions can also be supplied in Aluminium, Stainless Steel or powder coated in any RAL colour required.

eVOrail Collapsible



eVORAIL Roof Guardrail Systems

THE RANGE

eVOrail is a versatile product which can be sited on almost all roof surfaces.

Our freestanding system is available in standard inclined, radius, non trip or collapsible versions.

For metal profile sheet roofs our top-fix range can be fitted to composite, secret fix or standing seam roofs, using our unique clamp fixing brackets.

Top-fix or side fix variants can also be fitted direct to blockwork or steel sections

Toeboards can also easily be added where required.

eVOrail Top Fix

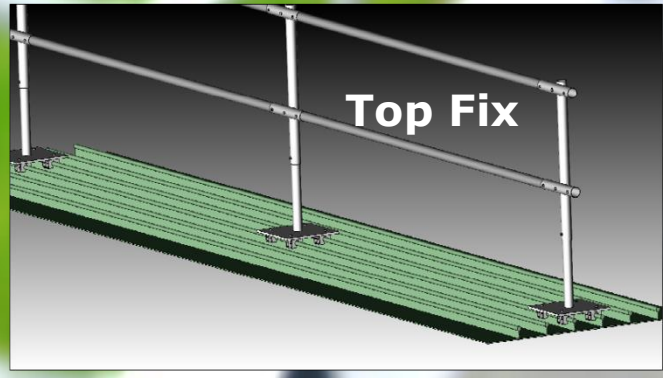
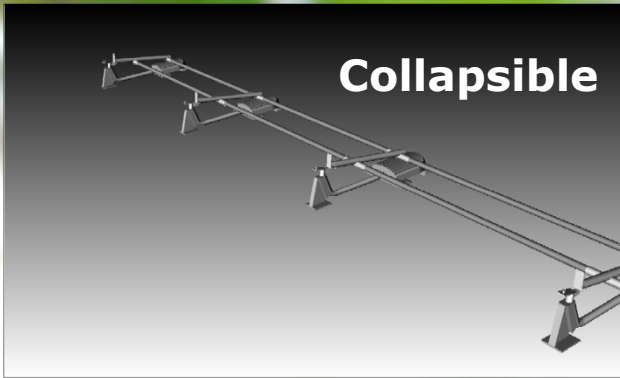
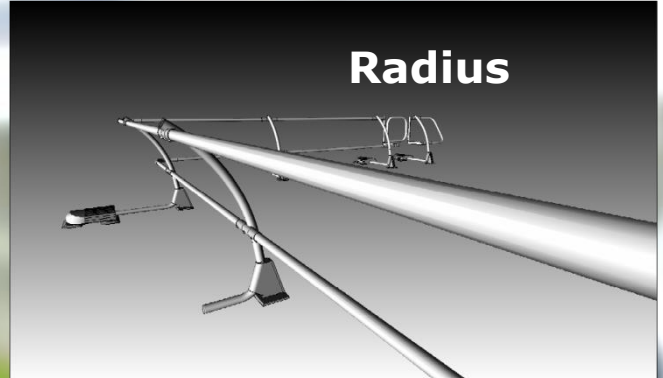
Key Features of eVOrail

- 1. Ease and speed of installation** – our clients state that eVOrail is by far the easiest and quickest guardrail system they fit. **A major saving on labour costs.**
- 2. Lightweight** – Our galvanised systems use 2mm wall thickness, pre-galvanised tube which is much lighter than rival hot dipped galvanised tube.
- 3. Certified** - All our versions are tested and certified to EN 13374 and EN 14122-3
- 4. Life Expectancy** – Our galvanised steel systems have an average 25 year lifespan, even longer for aluminium, stainless or powder coated versions.
- 5. Roof Surface Protection** – Post feet and counterbalance weights made from recycled rubber to protect roof surfaces from damage.
- 6. Adaptability** – Versions available for all roof types / surfaces.
- 7. Designer Looks** – Attractive designs / versions and many finishes available.



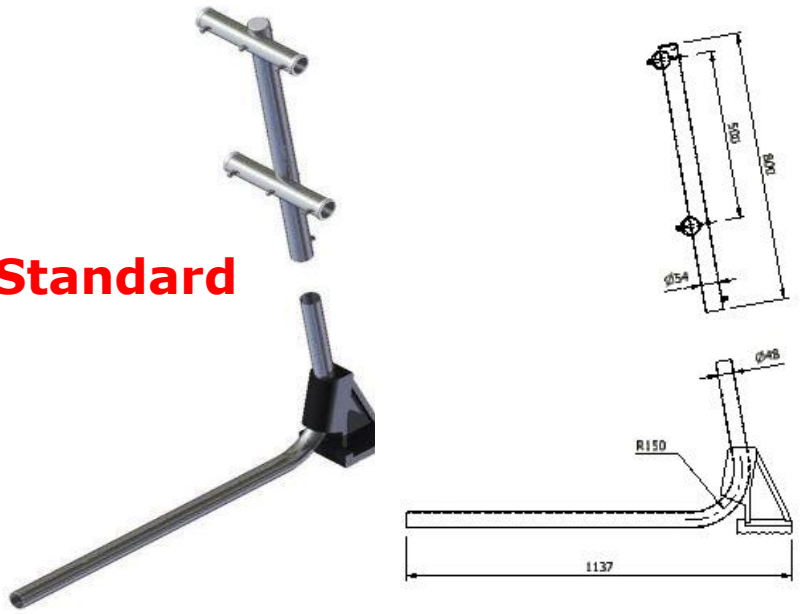
eVO RAIL Roof Guardrail Systems

The eVO Rail Range

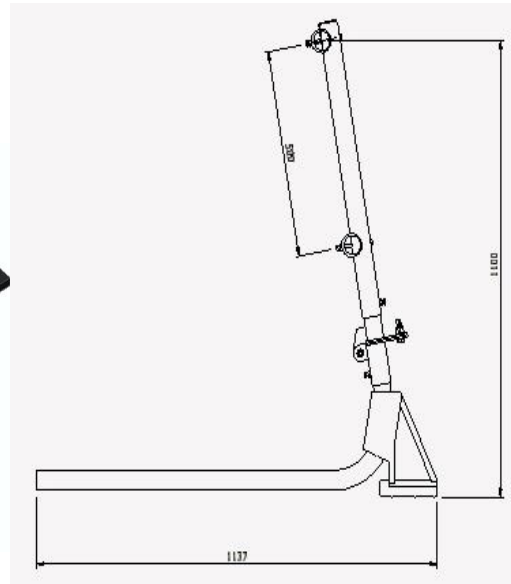




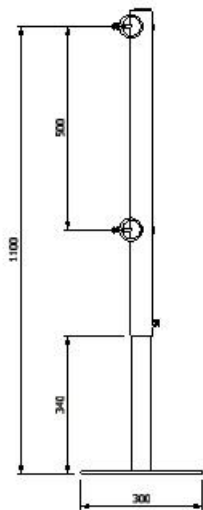
Standard



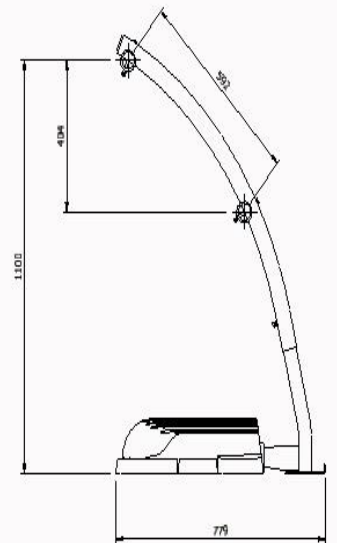
Collapsible



Top Fix



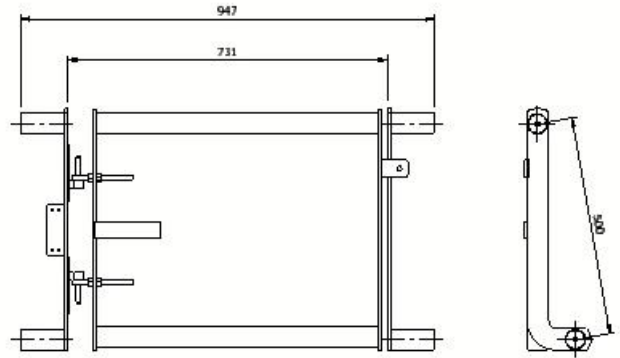
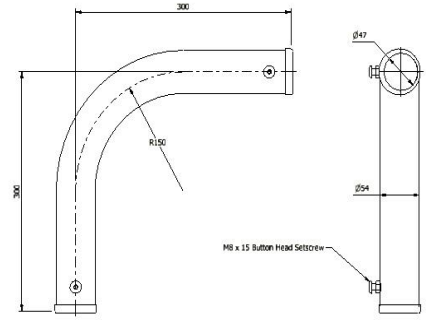
Non Trip



Evorail Components



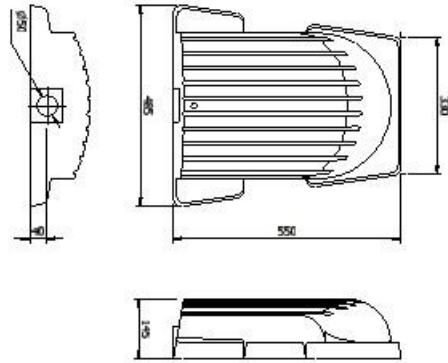
Sweeping Bend



Self Closing Gate



Weight



Wall Bracket



90° Elbow





eVOrail Side Fix

eVORAIL Roof Guardrail Systems, part of the range of roof safety and access products available from:



RIDGEWAY

Belfast:- +44 (0) 28 90454599
Ashbourne:- +353 (01) 802 7173
Email:- info@ridgewaysiteproducts.com



eVO
SAFETY SOLUTIONS